

A4103 Upward “V” Vent

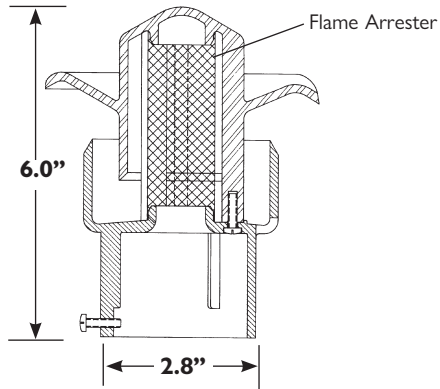
Material

Body: Polyethylene

Cap: Polyethylene

Screws: Steel

Screen: 40 Mesh Stainless Steel



■ UL Listed MH10206

The Emco Wheaton A4103 Upward “V” Vent utilizes a straight-up “V” design to rapidly disperse vapors. Slip-on style vent attaches to the pipe with three screws for easy installation. Screen can be easily removed for cleaning. Designed in accordance with NFPA 30.

Model No.	Inlet	Material	Lbs.
A4103-002	2"	Polyethylene	0.7